

Installation Instructions And Homeowner's manual



HYDRA REVOLUTION

Models:

HYDRAR15-M2401M
HYDRAR18-M2401M
HYDRAR20-M2401M
HYDRAR24-M2401M
HYDRAR27-M2401M
HYDRAR29-M2401M

Attention

Do not tamper with the unit
or its controls. Call a
qualified service technician.

Manufactured by:
Dettson Industries Inc.
Sherbrooke (Québec)
Canada
www.dettson.ca



ELECTRIC BOILER MECHANICAL CONTROL



INSTALLER / SERVICE TECHNICIAN :

USE THE INFORMATION IN THIS MANUAL FOR THE
INSTALLATION / SERVICING OF THE BOILER AND KEEP THE
DOCUMENT NEAR THE UNIT FOR FUTURE REFERENCE.

HOMEOWNER :

PLEASE KEEP THIS MANUAL NEAR THE BOILER FOR FUTURE
REFERENCE.

TABLE OF CONTENT

SECTION 1 : INSTALLATION	3
1) DANGER, WARNING AND CAUTION.....	3
2) HEATING WITH HOT WATER	3
3) DELIVERY.....	3
4) INSTALLATION.....	3
5) CLEARANCES.....	4
6) DISTRIBUTION SYSTEM	4
7) INSTALLATION OF THE BOILER	6
8) ELECTRIC POWER SUPPLY.....	6
1. CONNECTING THE CIRCULATING PUMP	6
2. CONNECTING THE THERMOSTAT	6
SECTION 2 : OPERATION	7
1) ADJUSTMENTS AND START-UP	7
2) MECHANICAL HIGH LIMIT	7
SECTION 3 : MAINTENANCE	7
SECTION 4 : INFORMATION	7
SECTION 5 : TECHNICAL DATA	8
SECTION 6 : REPLACEMENT PARTS	13

LIST OF FIGURES

Figure 1: Mounting configurations	4
Figure 2: Boiler components.....	5
Figure 3: Boiler Dimensions	9
Figure 4: Typical Diagram of a Single Zone Installation	10
Figure 5: Multizone Diagram with more than one Circulator.....	10
Figure 6: Multizone diagram with Motorized Valves	11
Figure 7: Electrical Diagram	12
Figure 8: Exploded View.....	13

LIST OF TABLES

Table 1: Minimum clearances to combustible materials	4
Table 2: Hydra Compact – Technical specifications.....	8
Table 3: Parts list.....	14

SECTION 1 : INSTALLATION

1) DANGER, WARNING AND CAUTION

The words DANGER, WARNING and CAUTION are used to identify the levels of seriousness of certain hazards. It is important that you understand their meaning. You will notice these words in the manual as follows:



DANGER

Immediate hazards which **WILL** result in death or serious injury.



WARNING

Hazards or unsafe practices which **CAN** result in death or injury.

CAUTION

Hazards or unsafe practices which **CAN** result in personal injury, product or property damage.

2) HEATING WITH HOT WATER

Your HYDRA REVOLUTION electric boiler was carefully assembled and checked in our plant, so that it will deliver warmth and comfort to your home for many years to come.

This manual is intended to provide the necessary information for the installation of the unit, how it functions and explains security measures which are particular to this type of equipment.

It is essential that the persons installing, operating or adjusting the boiler carefully read this manual, in order to completely understand and be familiar with the procedures to be followed.

Any questions relative to the operation, maintenance or guarantee should be directed to the company where the equipment was purchased.

Upon completion of the installation, this manual should be placed back into its original envelope and kept near the boiler for future reference.

3) DELIVERY

Upon delivery of the boiler, check the nameplate to be sure that you have received the model with the correct rating and proper voltage.

The following items are supplied with the unit:

- A pressure relief valve, adjusted to 30 psi;
- A drain valve;
- A 1/4" NPT cap to cork the 1/4" NPT nipple between the elements in the case the boiler is installed horizontally;
- A 1/4" NPT coupling for the installation of the air vent if unit is installed in the upright position;
- Two 1" x 3/4" or 1 1/4" x 3/4" reducers for the pressure relief valve and the drain valve.

4) INSTALLATION



WARNING

The installation of this unit must be performed by a qualified technician and it must conform to the standards and regulations in force as well as the Canadian Installation Code for Hydronic Heating Systems CSA B214-01.

Positioning

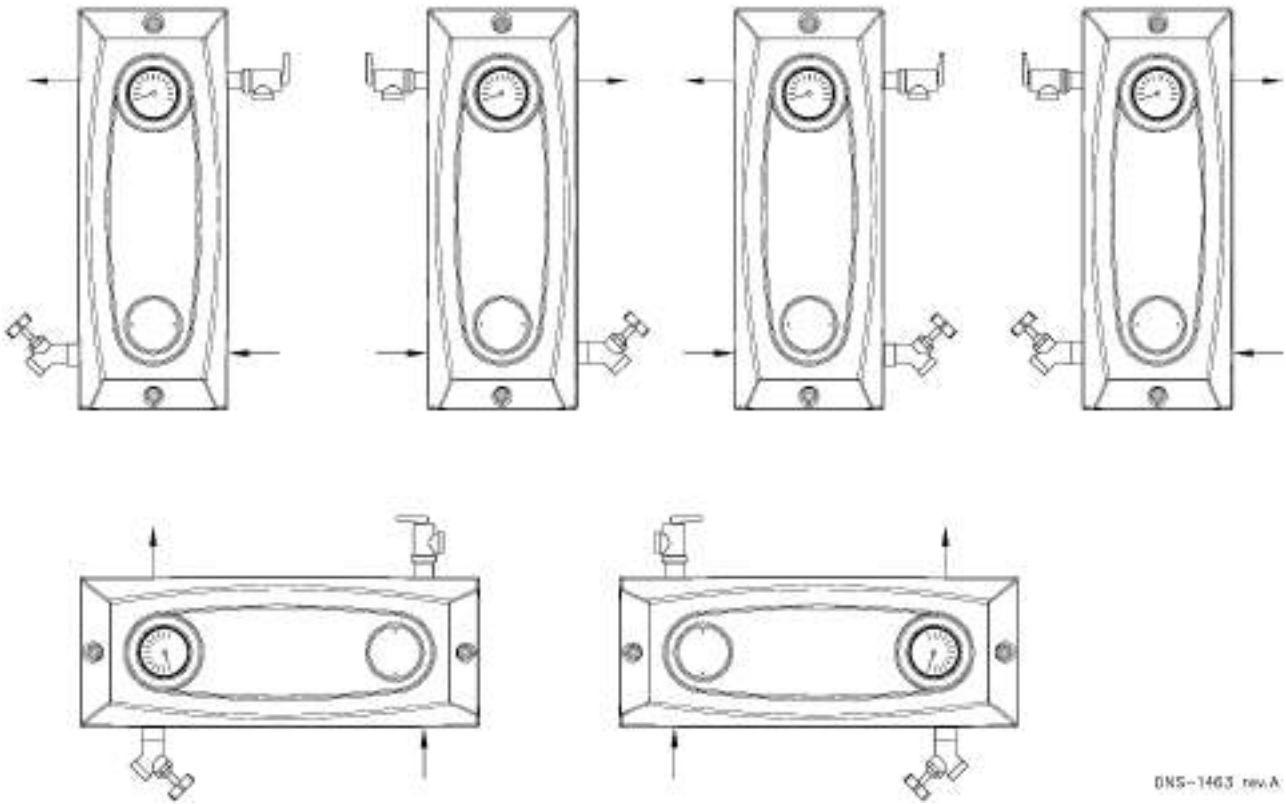
The unit must be installed in an area that is dry, non-corrosive, without excessive dust, well ventilated and where the ambient temperature does not exceed 27°C (80°F).

The boiler can be installed using the included mounting brackets. First, unfold the four tabs on the back panel of the boiler. Position the top bracket and secure it to a wall. Place the boiler on the top bracket and then secure the bottom. Finally, use self-tapping screw to secure the tabs to the bracket. **Ensure that the unit is well fixed on the wall utilizing the 2 mounting brackets.**

The boiler can be installed in 6 possible configurations as shown in figure 1.

Ensure that it is installed level and that the clearances indicated in Table 1 are respected.

Figure 1: Mounting configurations



DNS-1463 rev.A

5) CLEARANCES

The following clearances should be provided for the servicing of the unit:

Table 1: Minimum clearances to combustible materials

LOCATION	CLEARANCE
Access side to elements	13 ¼" (34 cm)
Sides	4" (10 cm)
Bottom	0
Front*	24" (61 cm)
Back	0

* If the boiler is in an enclosure, provide a door or a removable panel in front to access the control panel.

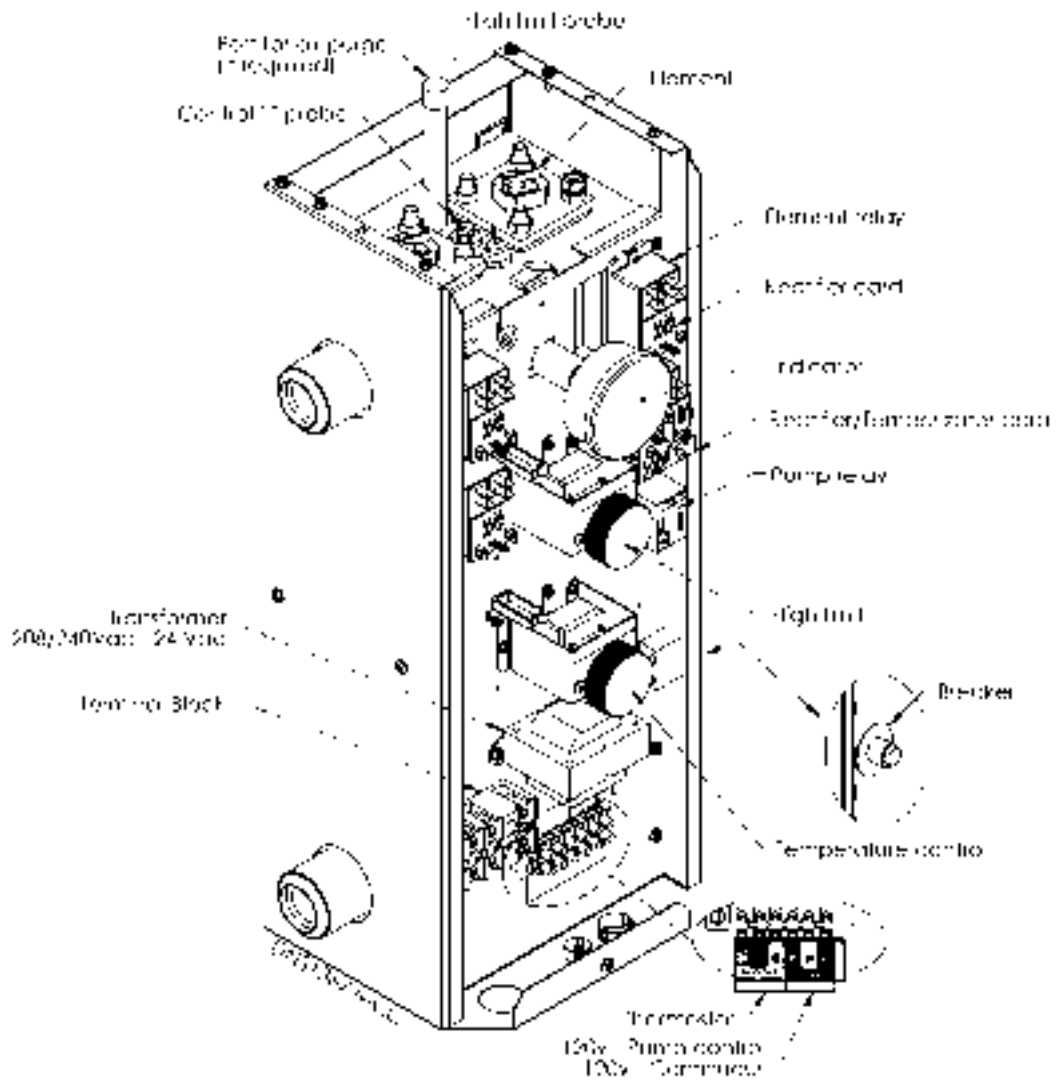
6) DISTRIBUTION SYSTEM

The proper functioning of your heating system is directly related to the quality of the plumbing installation. Therefore, the entire installation must be performed by qualified technicians.

See Figure 2 for the functions of the various boiler components.

The heating system must be set-up to operate at a maximum pressure of 28 psi and the operating temperature may range from 21°C to 88°C (70°F to 190°F).

Figure 2: Boiler components



Freeze protection (when required)

WARNING

Only propylene glycol may be used in this hydronic heating system, to prevent freezing.

It is recommended to add a maximum of 50% of propylene glycol mixture to ensure proper operation.

Do not use automotive anti-freeze, ethylene glycol or any undiluted anti-freeze.

If the above recommendations are not followed, severe personal injury, death or substantial property damage can result.

All installations must include the following items:

- a. 1 pressure regulator, adjusted to 12 psi, must be installed between the boiler and the main water supply in the building;
- b. 1 expansion tank, pre-pressurized to 12 psi and of appropriate size;
- c. 1 or more automatic air purge valves;
- d. 1 or more circulating pumps of appropriate capacity.

CAUTION

To avoid water damage and/or scalding due to relief valve operation, a discharge line must be connected to the valve outlet and run to a drainage area. The discharge line shall be installed in such a way that it will allow for the complete drainage of the valve and the discharge line.

7) INSTALLATION OF THE BOILER

At the time of installation, the following steps should be followed. Refer to Figure 3, 4, 5, 6 and 7.

1. Choose an appropriate location. Mount the boiler securely on the wall, with the help of the mounting plate. Ensure that it is level and that the minimum clearances are observed;
2. Install the drain valve and the safety valve according to the mounting configuration as shown in Figure 1;
3. An air vent must be installed on the unit if installed upright position, water connections at the bottom. In all other mounting position, cork the hole with the ¼" plug provided.
4. Install the water supply and return piping with the 1" or 1¼" NPT fitting;
5. The heating supply line must include:
 - a. 1 circulator along with 2 maintenance valves;
 - b. 1 automatic pressure reducing valve adjusted to 12 psi, with a shut-off valve on the return water line;
 - c. 1 expansion tank;
 - d. 1 automatic vent.
6. The flow of water through the system must be sufficient to continuously discharge the energy generated by the boiler. If not,

the High Limit protector will disconnect all the electric elements and a more or less frequent cycling mode will be established by the Safety Control (see the Technical Specifications Table);

7. In order to ensure satisfactory water flow, the friction in the piping system must not exceed the capacity of the circulator;
8. After having completed all piping connections, run water through the system and purge the air. The automatic vent should be in operation.

Note: Remove the plastic cover and check to see if the elements are watertight.

8) ELECTRIC POWER SUPPLY

All electrical wiring must conform to the standards and regulations in force and the Canadian Electrical Code CSA C22.1.

Electrical power to the boiler must come from a 120/240V-60 Hz or 208V-60 Hz, single phase, 3-wire, grounded circuit, protected by an appropriately sized breaker, based on the total rating of the boiler. When using 208V, change the connector's position at the primary of the transformer. Refer to the boiler nameplate and the technical specifications in this manual to select the proper breaker and wire size.

WARNING

RISK OF FIRE

The conductor sizing must conform to the last edition of the local or national codes.

Failure to follow this rule can result in death, bodily injury and/or property damage.

Power supply to the unit can be made using copper or aluminium wires. The wire size must be decided in accordance to unit power consumption, the over current protection type and capacity, the wire type and length, and the environment where the unit is installed. If an aluminium wire is used, other precautions (such as the use of a DE-OX inhibitor) must be taken to insure the conformity of the installation. In all cases, all the factors affecting the wire gauge must be considered and the installation codes followed.

The exterior of the unit must have an uninterrupted ground to minimize the risk of bodily harm. A ground terminal is supplied with the control box for that purpose.

In the event that wires inside the unit require replacement, these must be as same type as originals. (Copper wiring only)

1. CONNECTING THE CIRCULATING PUMP

Connect the circulating pump on 120V connections points identified P-P in the control panel as shown in Figure 2. The control is designed to operate the circulator on thermostat demand.

2. CONNECTING THE THERMOSTAT

Single heating zone

Connect the low voltage thermostat to R-W terminals located inside the control panel. See Figure 4.

Multiple heating zones

Connect the contacts of the motorized valves or pump controls to R-W terminals inside the control panel. See Figure 5 and 6.

Compliance with Canadian Energy Efficiency regulations

The jumper between W1 and W2 must remain connected in order to comply with the Canadian Energy Regulations.

SECTION 2 : OPERATION

1) ADJUSTMENTS AND START-UP

CAUTION

The boiler must be filled with water and all air purged from the system, before turning on the power.

CAUTION

If the power is turned on before the boiler is filled with water, the elements will become seriously damaged.

1. Adjust the setpoint of the boiler on the aquastat.
2. Turn on the power, set the thermostat at 30C (85F). The circulator should start as well as the electrical elements in sequence with a 8 seconds delay;
3. The circulator stays on for as long as there is a call for heat.

2) MECHANICAL HIGH LIMIT

Mechanical High Limit Control

The mechanical limit control must be set **20°F above** the setpoint temperature on control aquastat.

SECTION 3 : MAINTENANCE

The property owner has the following responsibilities:

- a. Maintain the area around the boiler clean at all times and free from combustible and flammable material;
- b. Ensure that the ambient air at the boiler is not excessively dusty or humid;
- c. Have all water leaks repaired in the system as they arise.
- d. Ensure that the ambient temperature in the area where the unit is installed does not exceed 27°C (80°F).

CAUTION

The boiler guaranty may be invalidated if: water leaks in the system are not repaired; the boiler is used as a source of domestic hot water or a significant amount of new water or air is introduced into the system.

It is recommended that the boiler be purged annually, in order to eliminate sediment and sludge that may have accumulated at the bottom of the boiler and covering the heating elements.

Procedure:

1. Let the boiler cool down;
2. Close the maintenance valves, which are installed at the water inlet and outlet of the boiler. N.B.: It is not recommended to drain the water from the heating pipe system;
3. Hook-up a garden hose to the drain valve and place it close to a floor drain;
4. Open the purge valve until the water comes out clean and clear;
5. Close the valve.

It is recommended to perform a visual inspection of the boiler electrical compartment annually, during the heating season. The items to check are the water tightness of the elements, signs of overheating of the electrical components and the wiring. Corrective measures must be undertaken as required, as soon as possible.

Defective components should always be replaced with the Original Equipment Manufacturer's parts.

SECTION 4 : INFORMATION



Model: _____ Serial number: _____

Installation date of the electric boiler: _____

Service telephone # – Day: _____ Night: _____

Dealer name and address: _____

SECTION 5 : TECHNICAL DATA

Table 2: Hydra Compact – Technical specifications

Model Number	POWER (KW@240V)	POWER (KW@208V)	Electric element #1 (kW)	Electric element #2 (kW)	Electric element #3 (kW)	Electric element #4 (kW)	Electric element #5 (kW)	Electric element #6 (kW)	Consumption (Amp @ 208V / @ 240V)	VOLTAGE - FREQUENCY - PHASE	General information	Supply - Return	Minimum water flow USG/min	Overall Dimensions (W x D x H) in	Shipping Weight (Lbs)
HYDRAR15-M2401MA	15	11.3	5	5	5	NA	NA	NA	54 / 62	208/240V - 60Hz - 1		1" NPT Female	5.42	8,2 x 11,3 x 21,4	65
HYDRAR18-M2401MA	18	13.5	4	5	4	5	NA	NA	65 / 75				6.5		
HYDRAR20-M2401MA	20	15.0	5	5	5	5	NA	NA	72 / 83				7.22		
HYDRAR24-M2401MA	24	18.0	4	5	5	5	5	NA	86 / 100			1-1/4" NPT Female	8.66	11,2 x 11,3 x 21,4	85
HYDRAR27-M2401MA	27	20.3	4	4	5	4	5	5	97 / 112				9.75		
HYDRAR29-M2401MA	29	21.8	4	5	5	5	5	5	104 / 120				10.47		

Figure 3: Boiler Dimensions

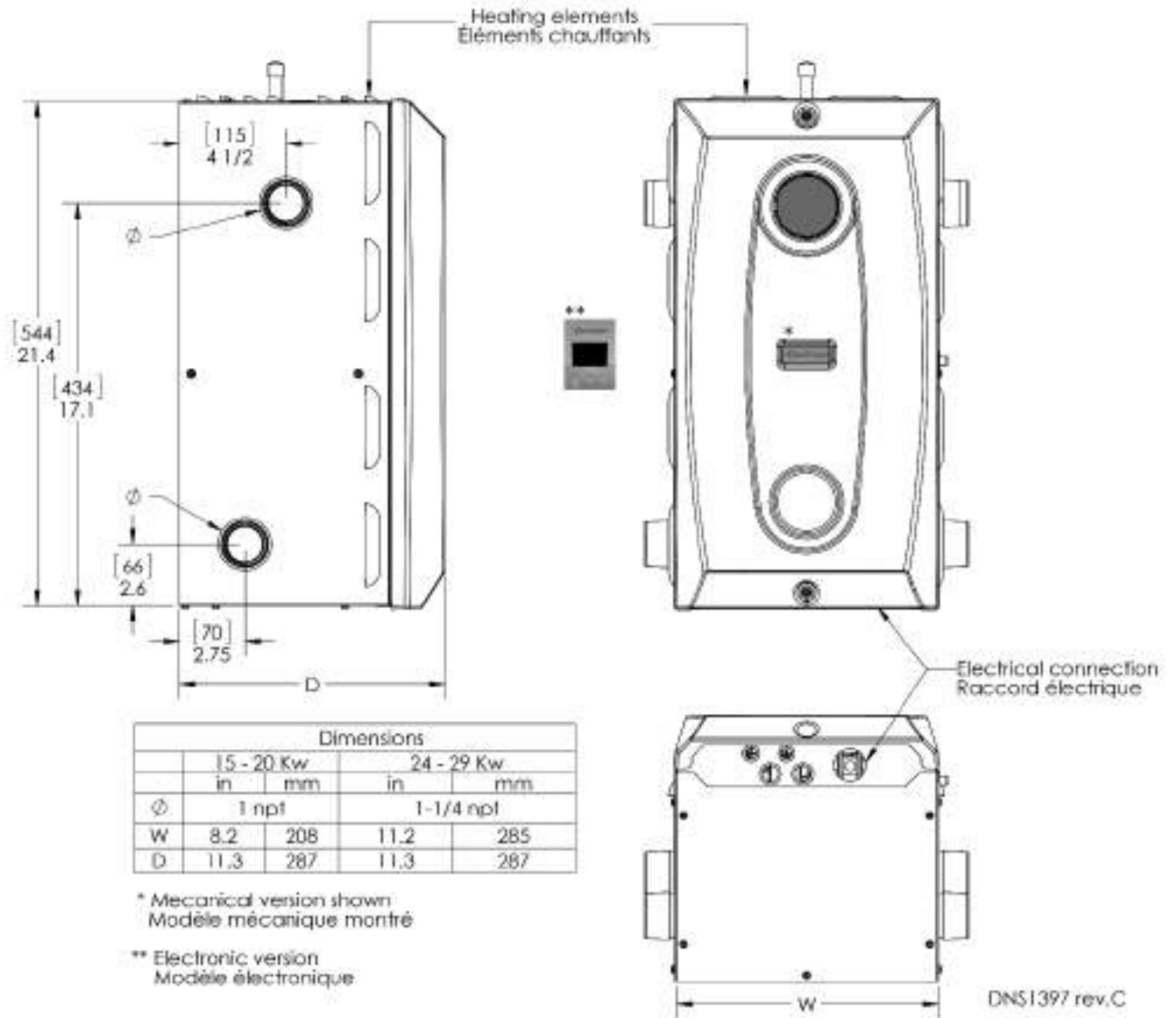
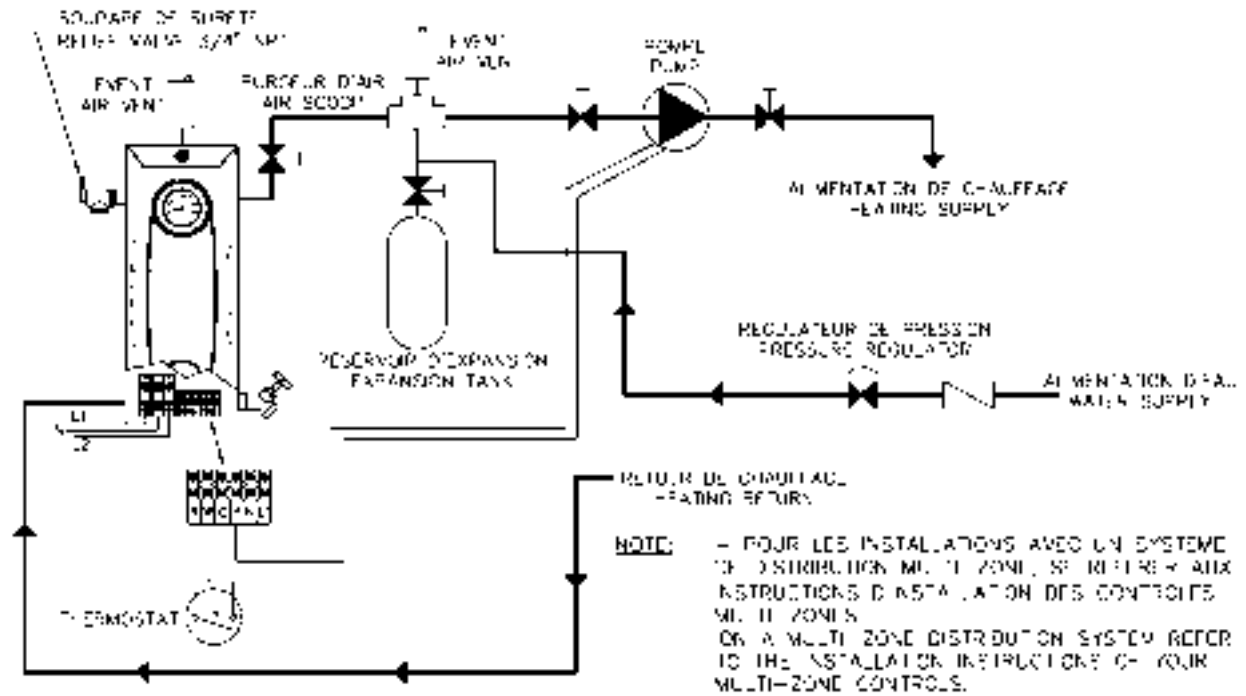
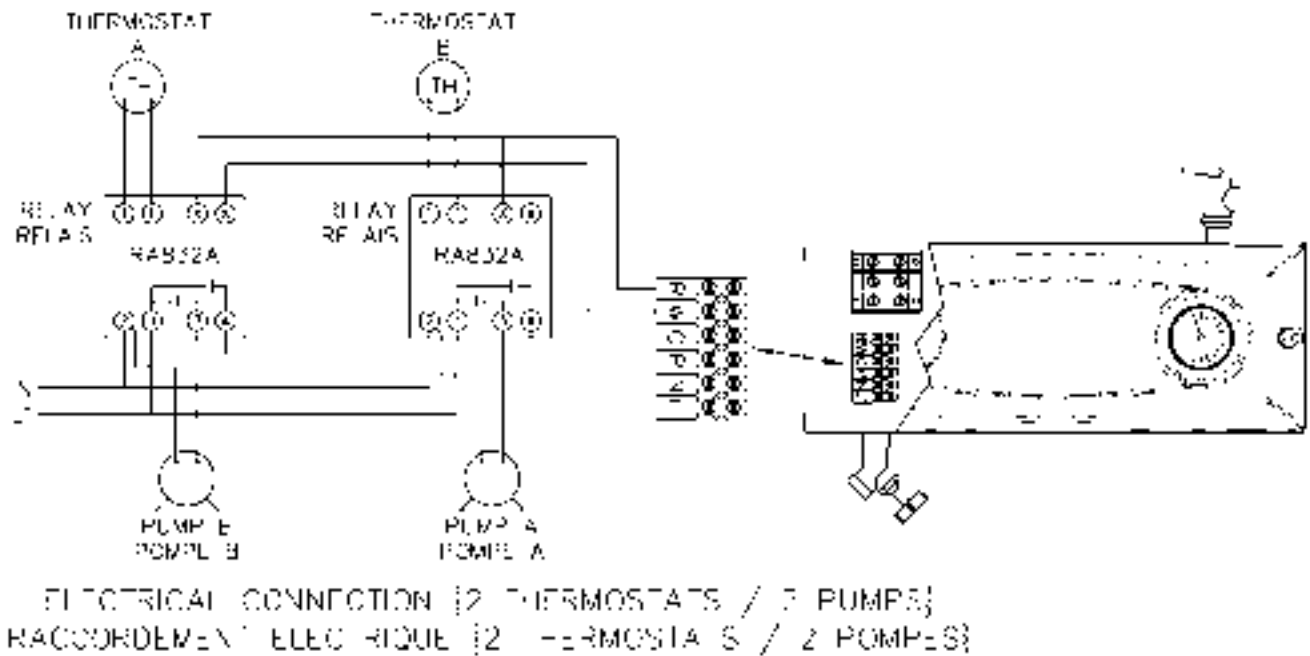


Figure 4: Typical Diagram of a Single Zone Installation



DSG-1189 Rev C

Figure 5: Multizone Diagram with more than one Circulator



DSG-137 Rev C

Figure 6: Multizone diagram with Motorized Valves

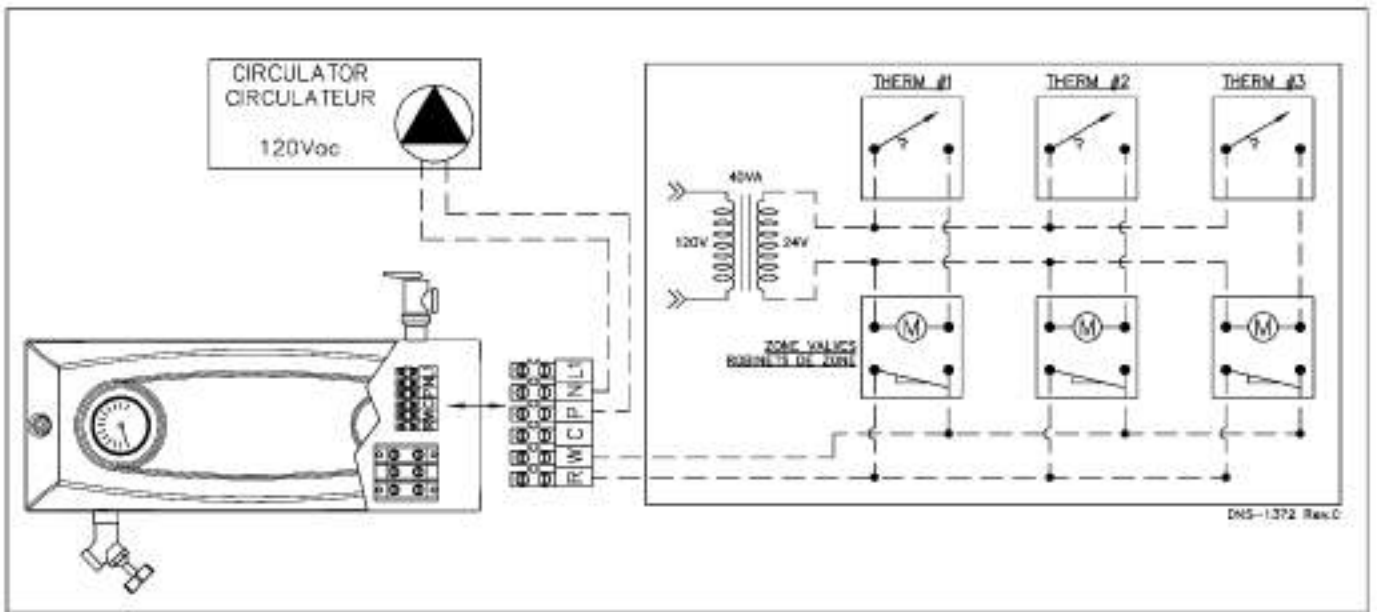
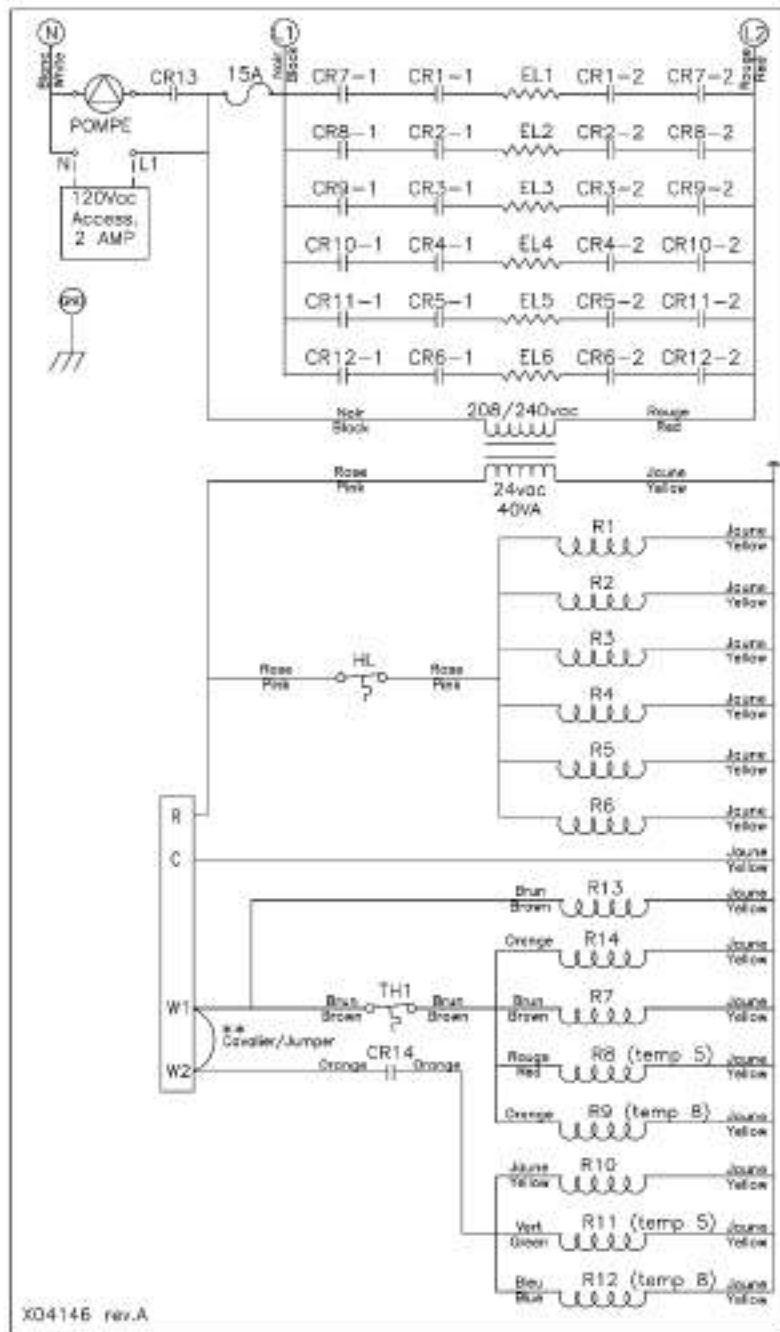


Figure 7: Electrical Diagram



**The jumper must remain connected in order to comply with the Canadian Energy Regulations.

SECTION 6 : REPLACEMENT PARTS

Figure 8: Exploded View

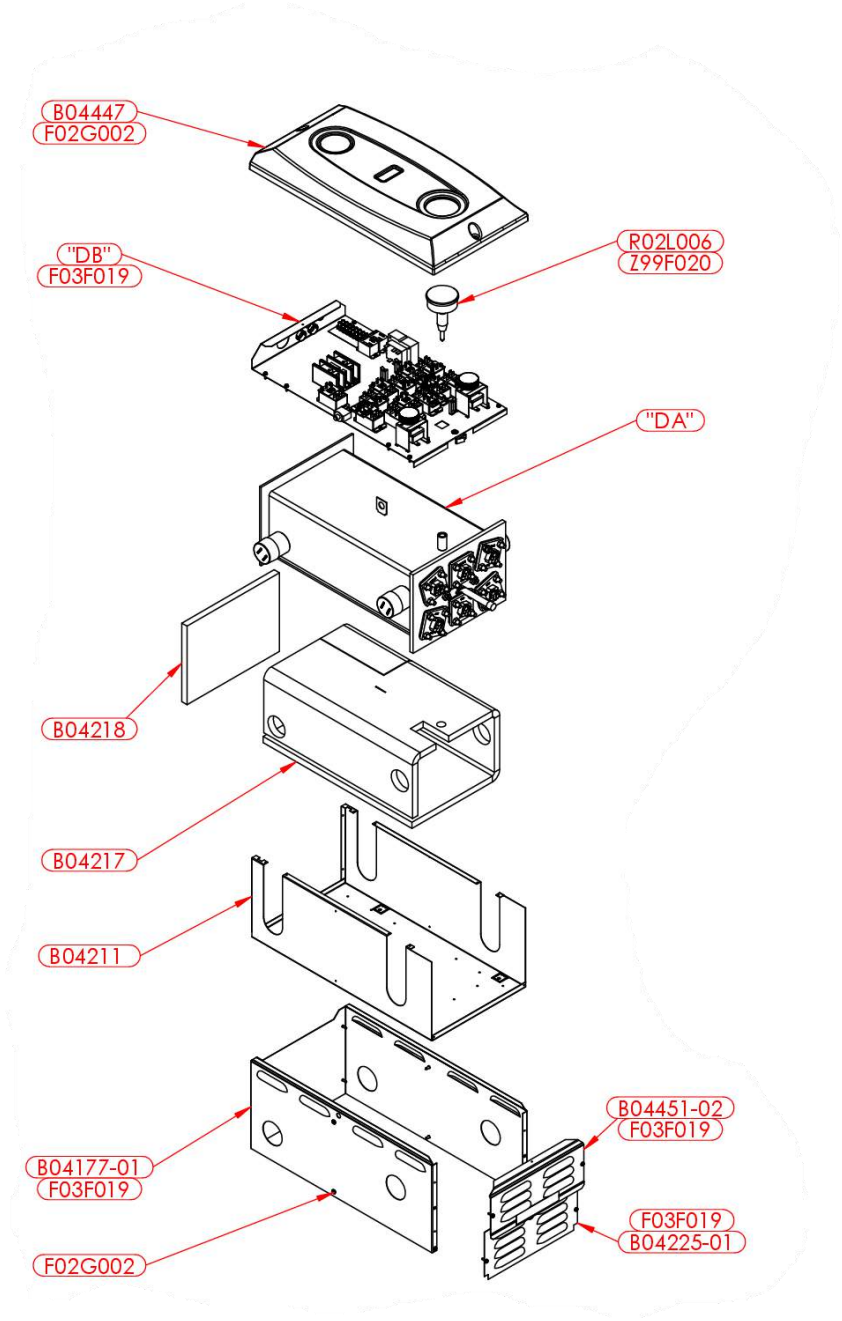


Table 3: Parts list

Item	Description	Comments
B03984-03	Cover ass'y	Cover, cosmetic and wiring diagram
R02L006	Tridicator	
G11F025	Relief valve 30# 3/4m x 3/4f	
G08F005	Adaptator 1 x 3/4	
G01G001	Standard nipple 1/4" NPT x 4"	
G03F001	Coppling 1/4" NPT	
G16G004	Cap 1/4" NPT	
B04237-02	Element replacement kit	Element 4 kw and gasket
B04237-03	Element replacement kit	Element 5 kw and gasket
B03970	Sealing gasket element	
B03952	Wall support	
B04201	Machine support	
L01J001	Breaker 15amp	
G11Z002	Drain faucet 3/4m	
L99F006	Terminal bloc	
B04184-01	Aquastat assembly (Control) T~)	
B04184	Aquastat assembly (Hi-limit)	
R99G006	Rectifier control	
L01H030	Relay DPST 22VDC	
R99G007	Rectifier / Temporisateur control	
L01H009	Relay 24vac	
L01F010	Transformer 208/240/24	